



N-Switch Bluetooth Gamepad

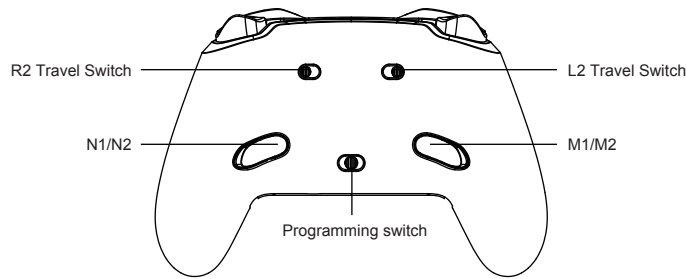
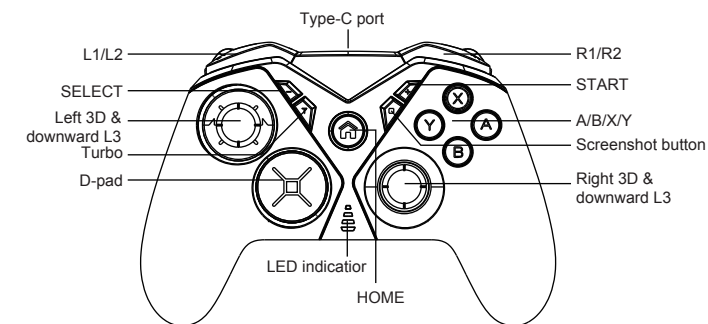
User Manual(PG-SW001)

Product Application:

- 1 This gamepad is suitable for playing games on N-Switch mainframes and Android devices;
- 2 This gamepad supports wireless connection to N-Switch mainframes, and also supports wired N-Switch bases to operate N-Switch games;
- 3 The function buttons of the gamepad correspond to the button functions of the N-Switch_pro controller, and support the TURBO continuous function;
- 4 Back button M1, M2, N1, N2 custom programming;
- 5 Supports left 3D and cross button interchangeable functions, replaces 3D and function buttons according to the user's own experience, resulting in a better experience.
- 7 Support L2, R2 travel control, use players to get a better gaming experience.
- 8 This gamepad supports six-axis gyroscope function and supports vibration function(Switch console);
- 9 Ergonomic structure, comfortable feeling;

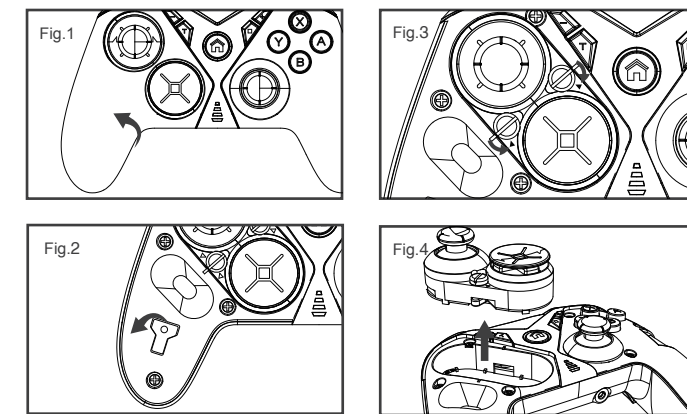
★ Due to the official game platform software upgrades or source code changes and other non-resist factors caused some of the game can not be played or connected with our Gamepad, ipega company has no responsibility. ipega reserve the right of final interpretation for this.

Button Illustration



3D joystick & cross button interchange operation instruction

1. Follow Figure 1 to open the gamepad left cover from arrow, take out the revolving key (Figure 2);
2. Turn the rotary switch to the triangle mark with the rotary key (Figure 3) Take out the 3D joystick and cross button (Figure 4), and then 3D joystick and cross can be interchanged;



3. After the interchange is completed, use rotary key to rotate the switch to align the notch mark, and then close the cover.

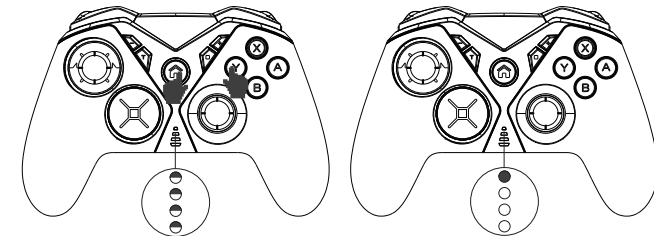
Electrical Parameters:

1. Product size: L155*W106*H63mm;
2. Product weight: 200±5g;
3. Input voltage/current: DC5V/500mA;
4. Working voltage/current: DC3.7V/80mA;
5. Maximum working current: <200mA;
6. Continuous playing time: >6H;
7. Charging time: about 3H;
8. BT3.0, transmission distance: ≤8M;
9. Battery: 650mAh;
10. Standby time: 30days after fully charged;

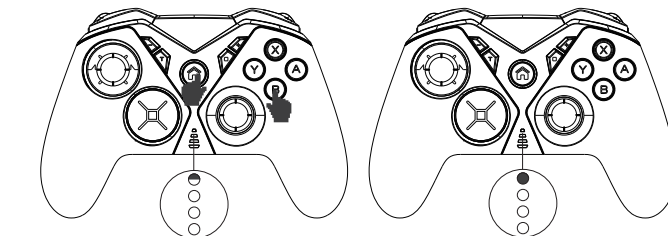
Usage Instruction:

Wireless connection mode

1. SWITCH console connection: Turn on game console, enter the console and click game icon, click "Change grip/order"; At the same time, Press and hold down Y+HOME button for 3 seconds to enter Switch pairing mode, game pad LED1-LED4 will flash in a loop, the channel light will be assigned by console and always on! Gamepad LED indicator will be always on! Already connected, directly press Home button, LED1-LED4 flash in circle, connected automatically!



2. Android connection (standard HID): Press and hold down B+HOME buttons for 3 seconds to enter Android standard pairing mode, gamepad LED1 will flash quickly, search "PG-SW001" on Android phone/tablet/Android smart TV, select the connection! After connected, gamepad LED1 will be always on! When it is already connected, directly press HOME button, LED1 flash slowly, connected automatically!



3. PC wireless mode(Standard HID): Press and hold down B+HOME for 3 seconds, LED1 flash quickly to enter PC bluetooth pairing mode, after connected LED1 will be always on; Press B+HOME button for 3 seconds to enter standard HID pairing mode, LED1 flash quickly, after PC conncted, LED1 will be always on! Already connected!

Wired connection mode

1. PC wired connection: direct plug-in cable 1, 4 lights flash, default as 360 mode; Hold down-(select) + +(start) for 3 seconds to switch to P3 mode(2, 3 lights flash);
2. Android wired connection: plug-in cable and LED1-4 flash;

TURBO function

1. Action button include (A/B/X/Y/L/Z/L/R/Z/R)8 buttons, all of which can be manually set to TURBO function;
2. Setting method: Hold down action button, press TURBO button to turn it on, repeat operation to close TURBO function;
3. When product enter sleep mode, restart after turn off, the TURBO function is automatically cleared before setting. If the TURBO function is enabled, it must be reset.
4. TURBO can adjust the shooting frequency: Press (-/+)+TURBO at the same time to adjust the connection frequency. The frequency setting is for all TURBO button synchronously. After setting, the frequency of the TURBO function will changeat the same time.

The adjustment is divided into three gears: one gear triggers 5 times per second; the second gear triggers 10 times per second; the third gear triggers 15 times per second; (default is triggered 10 times per second) When product enter sleep mode, restart after turn off, the TURBO function is automatically cleared before setting. If the TURBO function is enabled, it must be reset.!

Programming function

1. NORMAL is the normal mode: To turn off programming button function;
2. CUSTOM is the custom mode: To enable programming button function.
3. After turning on, press the programmed button + (START) to program the back button, each button can be programmed with multiple buttons; (A/B/X/Y/L1/L2/R1/R2/L3/R3/Up/Down/Left/Right) can be programmed; (M1/M2/N1/N2) Non-replaceable button combo Setting method (up to 12 button combinations can be set for a single programming button):
1. Press and hold the programming button(M1/M2/N1/N2) + (START) to be set at the same time. After the pairing indicator flashes quickly, release the button to enter the setting mode.
2. At this point, press one or more of the regular function buttons (A/B/X/Y/L1/L2/R1/R2/L3/R3/Up/Down/Left/Right) to be copied.
3. Press the programming button again to exit, the setting is completed, and the mode indicator is always on.
4. To clear the programming butin function, press and hold the programming button + (START) that needs to be set at the same time. After the pairing indicator flashes quickly, release the button and enter the setting mode. Press the programming button again to clear. Programming button function. After the product is slept, shut down and restarted, the TURBO and programming functions are automatically cleared before. If this function is enabled, it must be reset!

Gamepad Charging/Sleep/Wake up/ Shut down function:

- ① Charging function:
 - a. Power synchronization: The power of the gamepad is synchronized with the power displayed by the console.;
 - b. Low-power alarm: In the wireless connection mode, when the power of the gamepad is too low, the current mode indicator flashes slowly;
 - c. Charging indication when shutting down: 4 indicators flash slowly when charging, and the indicator light turn off after fully charged;

- ② Sleep/Wake up/ Shutdown function:
 - a. When The N-Switch console screen is off or the game controller is no operation within 5 minutes, it will automatically shuts down;
 - b. In the power-on status, press and hold the HOME button for 5 seconds, the product is turned off, and all the LED indicators are off;
 - c. When you need to use it again, you need to press HOME button to wake up and you can connect again.

- ③ Motor vibration adjustment: Vibration adjustment (switch mode) Press the cross button (up/down) + TURBO button at the same time to adjust the motor vibration intensity, 4 levels can be adjusted (the minimum is the off vibration, the default medium intensity vibration)

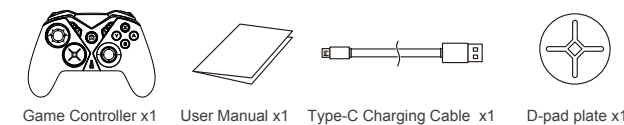
Gamepad correction method

Optimize the problem of 3D virtual position change after 3D and cross button exchange. After the 3D and the cross button are exchanged, re-correct the left 3D virtual position by pressing and holding "L1" + "+" (START) for 3 seconds, accompanied by 1S vibration. In shutdown status Press "B" + "-" (select) + "HOME" to enter the six-axis calibration. Two groups of LED1 LED2/ LED3 LED4 lights flash each other. Press "+(START)" to correct. (Keep the gamepad steady during calibration and do not move)

Notes:

1. Please do not store this product in wet or high-temperature areas.
2. Don't knap, beat, drub, pierce, or try to decompose this product, to avoid unnecessary damage to the product.
3. The product has built-in batteries, and please don't discard them together with the garbages.
4. Don't charge the controller in a place near the fire or other heat source.
5. Non professional personnel should not disassemble the product, otherwise it will not be covered in the after-sales warranty service.

Accessories List



N-Switch 游戏手柄

产品说明书(PG-SW001)中文版

产品适用说明:

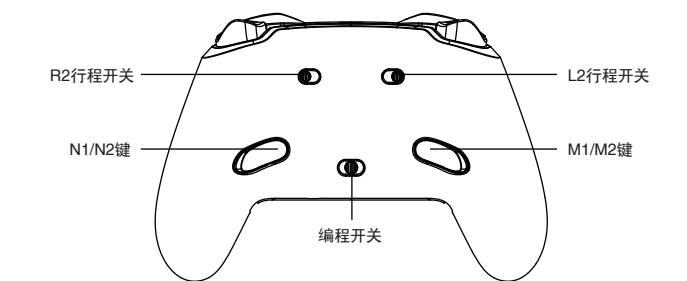
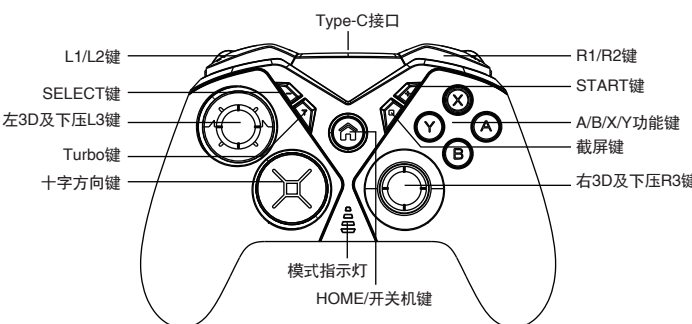
- 1 本手柄适合操作N-Switch主机及支持安卓设备和PC电脑上进行游戏;
 - 2 本手柄支持无线连接N-Switch主机, 也支持有线连接N-Switch底座, 操作N-Switch的游戏;
 - 3 本手柄的功能按键——对应N-Switch_pro手柄的按键功能, 并且支持TURBO连打功能;
 - 4 背键M1、M2、N1、N2自定义编程;
 - 5 支持左3D与十字键可互换功能, 根据用户自己体验更换3D与功能键位置, 得到更好的体验。
 - 7 支持L2、R2行程控制, 使用玩家得到更好的游戏体验。
 - 8 本手柄支持六轴陀螺仪功能, 支持震动功能 (N-Switch主机) ;
 - 9 结构符合人体工程学, 手感舒适;
- ★因官方游戏平台软件升级或源代码变更等不可抗拒的因素造成部分游戏无法与本产品连接操作, 我公司不承担任何责任。对此我公司保留最终解释权。

技术支持QQ群: 837350687
客服电话: 0755-2791 8998
在线时间: 周一至周五9:30-17:30



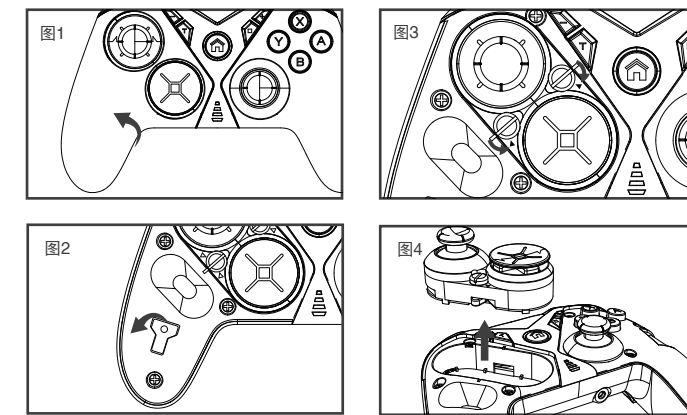
ipega官方微信公众账号
(关注微信后下载游戏大厅)

功能按键图示



3D摇杆与十字键互换操作说明:

1. 从下图1箭头所示处将手柄左面盖打开, 然后将旋转钥匙取出 (图2) ;
2. 用旋转钥匙将旋转开关旋转至三角形标示(图3) 即可将3D摇杆与十字键往上取出 (图4) , 后即可互换3D摇杆与位置;



3. 位置互换完成后, 用旋转钥匙旋转开关至对齐缺口标示, 然后将面盖上即可。

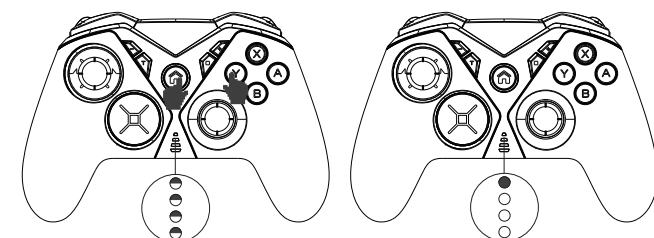
产品特性参数:

1. 产品尺寸: L155*W106*H63mm;
2. 产品重量: 200±5g;
3. 输入电压/电流: DC5V/500mA;
4. 正常工作电压/电流: DC3.7V/80mA;
5. 最大工作电流: <200mA;
6. 持续使用时间: >6H;
7. 充电时间: 约3小时;
8. 蓝牙3.0, 传输距离: ≤8M;
9. 电池容量: 650mAh;
10. 待机时间: 满电放置30天;

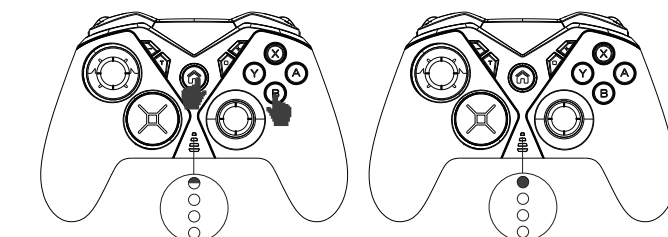
产品使用说明:

无线连接模式

1. N-SWITCH主机连接: 打开游戏主机, 进入点击手柄图标, 点击 "更改握法/顺序" 后; 同时按Y+HOME键3秒进入N-Switch配对模式, 手柄LED1-LED4循环闪烁, 连接成功后通道灯由主机分配长亮; 手柄LED灯常亮! 已成功连接, 可以直接按HOME键, LED1-LED4循环闪烁, 自动回连!



2. 安卓连接(标准HID): 同时按B+HOME键3秒进入安卓标准游戏配对模式, 手柄LED1灯快闪, 当安卓手机/安卓平板/安卓智能电视搜索到 " PG-SW001 " 设备名时, 选择连接! 连接成功后, 手柄LED1灯常亮! 已成功连接, 可以直接按HOME键, LED1灯慢闪, 自动回连!



3. PC无线模式(标准HID): B+HOME长按3秒, 1号指示灯快闪进入PC蓝牙配对状态, 连接成功1号灯长亮; 同时按B+HOME键3秒进入标准HID游戏配对模式, 手柄LED1灯快闪, 当PC端连接成功后, 手柄LED1灯常亮!

有线连接模式

1. PC有线连接: 直接插线1、4号灯闪烁, 默认360模式, 长按-(select) + +(start)三秒切换为P3模式 (2、3号灯闪烁) ;
2. 安卓有线连接: 直接插线1-4号灯闪烁;

TURBO功能

1. 动作键包括(A/B/X/Y/L/Z/L/R/Z/R) 8个按键, 均可手动设置TURBO功能;
 2. 设置方式: 长按动作键, 再轻按TURBO 键开启, 再次重复操作TURBO功能关闭;
 3. 产品休眠, 关机重启后, 之前设置TURBO功能自动清除, 若启用TURBO功能时, 必须重新设置;
 4. TURBO可调节连击频率: 同时按下 (-/+)+TURBO, 可调节连接频率, 频率设置为所有设置TURBO按键同步, 即设置后所以打开TURBO功能的按键频率会同时改变频率。调节分为三档: 一档每秒触发5次; 二档每秒触发10次; 三档每秒触发15次; (默认每秒触发10次)
- 产品休眠、关机重启后, 之前设置TURBO及编程功能自动清除, 若启用此功能时, 必须重新设置!

编程功能

1. Normal为正常模式: 关闭编程键功能;
 2. Custom为定制模式: 开启编程键功能.
 3. 开启后按所编程按键+ (START)可以对背键编程, 每个按键可编程多个按键; (A/B/X/Y/L1/L2/R1/R2/L3/R3/上/下/左/右) 均可设置编程; (M1/M2/N1/N2)不可复制按键连击
- 设置方法 (单个编程键最多可设置12个键组合) :
1. 同时按住需要设置的编程按键(M1/M2/N1/N2)+ (START), 此时配对指示灯快闪后, 松开按键, 进入设置模式.
 2. 此时按下需要复制的一个或多个常规功能键(A/B/X/Y/L1/L2/R1/R2/L3/R3/上/下/左/右) 后,
 3. 再次按下编程键退出, 即完成设置, 模式指示灯常亮.
 4. 如需清除编程键功能时, 同时按住需要设置的编程按键+ (START), 此时配对指示灯快闪后, 松开按键, 进入设置模式后, 再次按下编程键, 即清除编程键功能.

产品休眠、关机重启后, 之前设置TURBO及编程功能自动清除, 若启用此功能时, 必须重新设置!

手柄充电/休眠/唤醒/关机功能:

- ① 手柄充电功能:
 - a. 电量同步: 手柄电量与主机显示电量同步;
 - b. 低电报警: 无线连接模式下, 手柄电量过低时, 当前模式指示灯慢闪;
 - c. 关机时充电指示: 充电时4颗指示灯慢闪, 充满后指示灯熄灭;

- ② 手柄休眠/唤醒/关机功能:
 - a. N-Switch主机屏幕关闭或者游戏手柄在5分钟内无任何按键操作时自动关机休眠;
 - b. 在开机状态下, 长按HOME键5秒, 产品关机, 所有LED指示灯熄灭;
 - c. 当需要重新使用时需按HOME键唤醒即可回连
- ③ 马达震动调节: 震动调节 (N-Switch模式) 同时按十字键 (上/下) +TURBO键可以进行马达震动强度调节, 可调4档 (最小档为关闭震动, 默认中强度震动)

手柄校正方法

优化3D与十字键互换后 3D虚位变化的问题
3D和十字键互换后通过长按 "L1" + "+" (START) " 3秒重新校正3D虚位, 伴随1S震动
关机状态下按 "B" + "-" (select) + " HOME " 进入六轴校正, 前后两组LED1、LED2/ LED3、LED4互闪, 按 "+(START)" 键后校正 (校正时保持手柄稳定不得移动)

注意事项:

1. 请不要把本产品放在潮湿或高温地方存储;
2. 不要敲击、摔打、敲打、刺穿、或试图去分解本产品, 以免对产品造成不必要的损害;
3. 产品内置电池, 请勿和垃圾一起丢弃;
4. 不要在靠近火或其它热源的地方对手柄进行充电。
5. 非专业人员请勿拆卸本产品, 否则不在售后保修服务内;

产品清单:

