

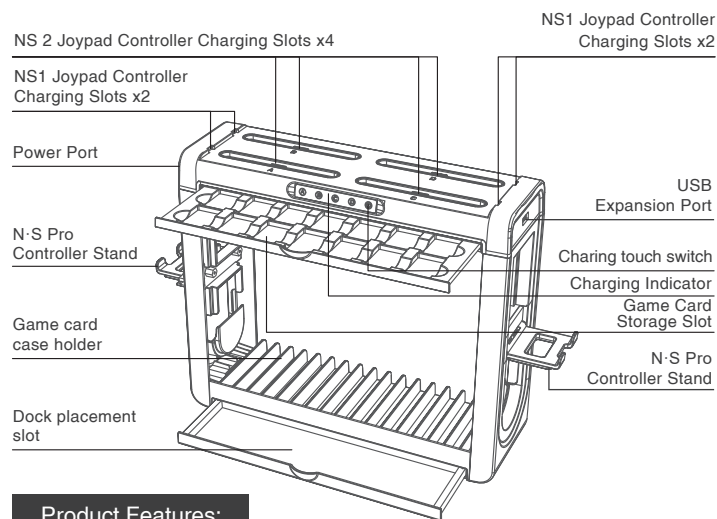


派鲨鱼

MULTI-FUNCTION STORAGE AND CHARGING STAND

Product Manual(PG-SW2027)

Product Diagram:



Product Features:

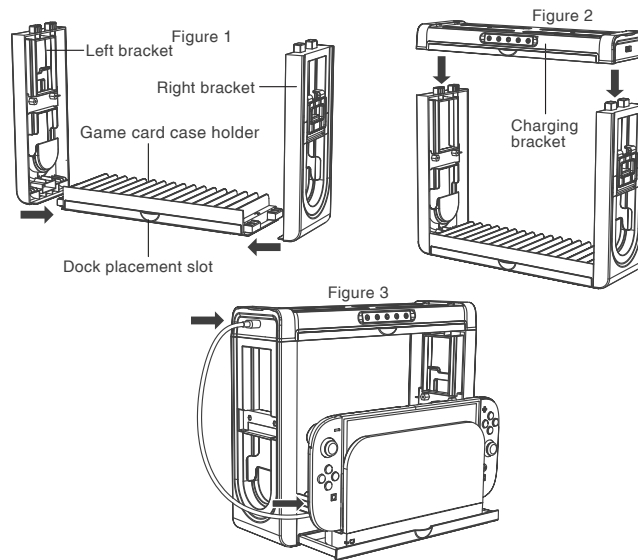
1. This product is a multi-function charging and storage stand designed for use with the official N·S dock.
2. This product features 8 charging slots, supporting N·S 1st or 2nd Gen Joypad controllers, and allows simultaneous charging for 1 to 4 controllers, with charging status indicators. When charging, the indicator light is orange, When fully charged or empty, the indicator light is blue.
3. Equipped with a TYPE-C interface, it allows the official N·S Dock to provide power input.
4. Provides a USB expansion port, supporting charging and data transfer for external devices.
5. Features two storage brackets for N·S Pro controllers, along with 14 game card slots and 16 game disc storage slots for organized storage and convenience.
6. Incorporates a drawer-style Dock storage compartment that slides out from the bottom of the product for easy access.

Product Technical Parameters:

1. Input Voltage: DC 5V
2. Input Current: 1.5A
3. Operating Current: 840±50mA
4. Single Controller Charging Current: 200mA
5. Controller Charging Time: Approx. 3-3.5 hours
6. Charging Voltage Range: 4.75V-5.25V

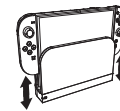
Product Instructions:

1. Stack the Dock placement slot and the Game card case holder together. Then attach the left bracket and right bracket to both sides of the game case holder respectively (as shown in Figure 1). Next, mount the charging bracket from top to bottom onto the left and right brackets (as shown in Figure 2). Finally, connect the included power cable to the official N·S dock to provide power input to the product (as shown in Figure 3).



2. After the product is powered on, the 4 controller charging indicators and the charging on/off light on the charging bracket will glow solid blue.
3. Insert Joy-Con controllers into any slot on the charging unit to initiate charging. During charging, the corresponding indicator glows solid orange; when fully charged, it switches to solid blue.
4. Charging touch switch: Enabled by default upon power-on. Press the touch button once to disable charging (indicators turn off), and press again to enable charging (indicators illuminate).
5. The product includes one USB expansion output port, supporting low-current charging for external devices and data transmission.
6. Features power-off state memory: After a touch-initiated shutdown, the product will retain the "power-off" state when reconnected to power.

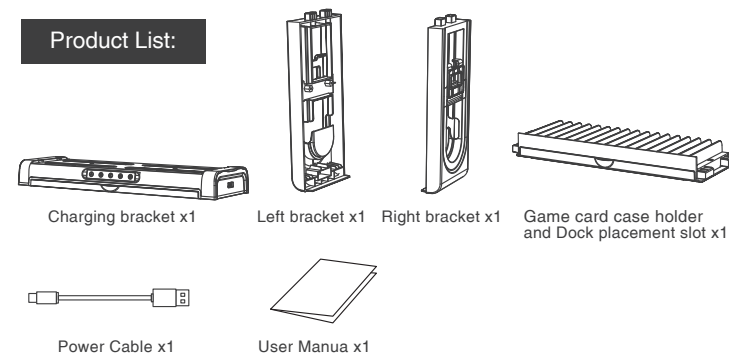
Notes:



1. The official dock has a power protection feature that briefly resets power when switching TV mode or docking/undocking the console. This may cause connected devices to flash or restart. It's normal and not a product issue.

2. Please do not store this product in a humid or high-temperature place.
3. Please do not knock, drop, puncture, or attempt to disassemble this product to avoid unnecessary damage to the product.
4. Non-professionals should not disassemble this product, otherwise, it will not be covered by the after-sales warranty service.
5. Please do not discard this product at will. It must be recycled by a qualified organization.
6. Do not use it for charging Joypad controllers other than the original NS/ NS 2.
7. When using a wired connection with the NS PRO controller, it is necessary to use a reliable USB cable to avoid poor connection or disconnection.

Product List:

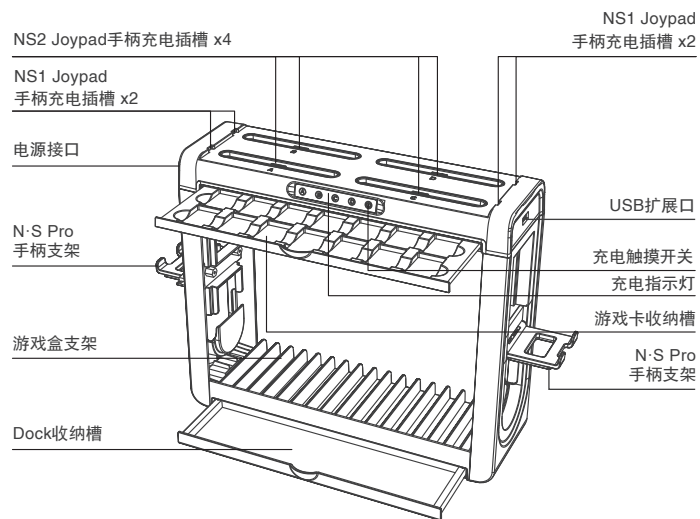


派鲨鱼

多功能充电收纳支架

产品说明书(PG-SW2027)

产品图示:



产品特点:

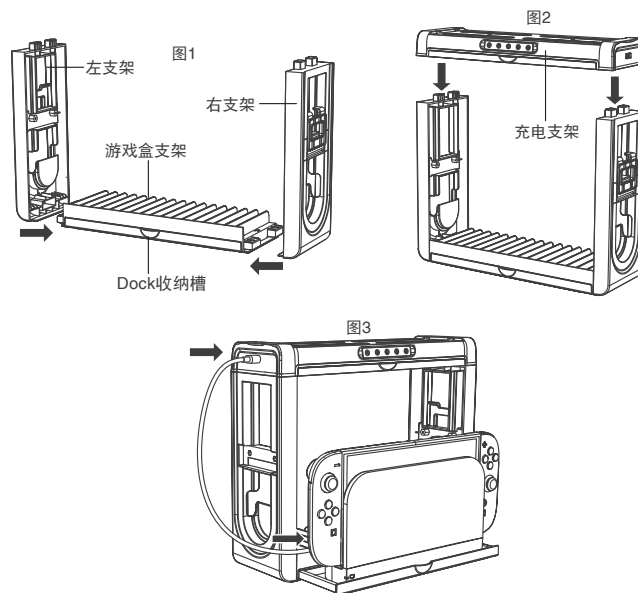
1. 本产品是一款配合N·S原装底座使用的多功能充电收纳支架;
2. 本产品具有8个充电插槽, 支持给N·S 2代及N·S 1代Joypad手柄充电, 支持一至四个手柄同时充电, 带有充电状态指示灯, 充电时, 指示灯显示橙色, 充满电或空闲时, 指示灯显示蓝色;
3. 配备TYPE_C接口, 支持N·S原装底座为产品提供电源输入;
4. 配备一个USB扩展接口, 支持给外设备充电与数据传输;
5. 配备两个收纳N·S Pro手柄的支架, 配有14个游戏卡槽和16张游戏盒收纳槽, 方便收纳和使用。
6. 配有抽屉式Dock收纳槽, 可以从产品底部抽出使用。

产品技术参数:

1. 输入电压: DC 5V
2. 输入电流: 1.5A
3. 工作电流: 840±50MA
4. 单个手柄充电电流: 200mA
5. 手柄充电时间: 约3-3.5小时
6. 充电电压: 4.75V~5.25V

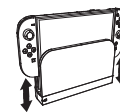
产品使用说明:

1. 将Dock收纳槽和游戏盒支架叠在一起, 然后将左支架和右支架分别安装在游戏盒支架的两侧, (如下图1), 再将充电支架从上向下安装在左右支架上面(如下图2), 然后将产品配带的电源线接入N·S原装底座, 为产品提供电源输入(如下图3);



2. 产品通电后, 充电支架上的4个手柄充电指示灯和充电开/关灯蓝色常亮;
3. 将Joypad手柄插入充电部件上面的任意插槽进行充电, 充电时对应指示灯橙色常亮, 充满电对应指示灯蓝色常亮;
4. 充电触摸开关: 上电默认打开, 按一下触摸按键, 关闭充电, 指示灯灭, 再按一下, 打开充电, 指示灯亮。
5. 产品具备1个USB 扩展输出口, USB扩展接口支持给外设备小电流充电与数据传输。
6. 增加断电状态记忆功能, 触摸断电后再次上电, 仍然默认断电状态。

注意事项:



1. NS官方Dock具有充电保护功能, 当客户插拔主机或切换TV模式时会重启电源, 导致产品的充电指示灯闪烁, 此为正常现象, 产品无问题, 请放心使用。

2. 请不要把本产品在潮湿或高温地方存储。
3. 请不要敲击、摔打、刺穿或试图去分解本产品, 以免对产品造成不必要的损害。
4. 非专业人员勿拆卸本产品, 否则不在售后保修服务内。
5. 请勿随意丢弃本产品, 须给有资质的机构回收。
6. 请勿用于其他非NS原装Joypad手柄充电。
7. 通过扩展端口有线连接NS PRO手柄使用时, 需使用质量可靠的USB连接线, 以免发生连接不畅或断连现象。

产品清单:

