

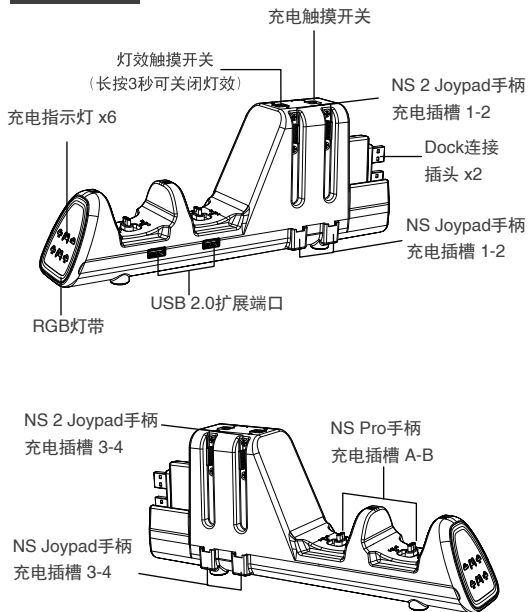
# ipega

派鲨鱼

## N-S 2 10合1充电座

产品说明书(PG-SW2187)

### 产品图示:



### 产品特点:

1. 本产品是一款配合NS 2原装底座使用的充电座, 适用于NS/ NS 2 Joyypad手柄 (NS一代或NS 2二代)及Pro手柄 (NS一代或NS 2二代);
2. 配备10个充电插槽, 支持给1至4个Joyypad手柄 (NS一代或NS 2二代)与2个原装Pro手柄 (NS一代或NS 2二代)同时充电;
3. 配备2个USB 2.0扩展端口, 支持小电流充电与数据传输(仅支持有线连接Pro手柄);
4. 配备充电指示灯, 实时显示手柄充电状态;
5. 配备RGB炫彩灯效, 支持11种可调灯光效果, 随心切换。
6. NS 2 Dock原装底座为本产品提供电源输入, NS 2 Dock需连接原装电源适配器。请在室内无强磁环境下使用。

### 产品技术参数:

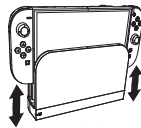
1. 输入电压: DC 5V
2. 输入电流: 2A
3. 充电电压: 4.8V-5.5V
4. 产品功率: 10W
5. 单个Joyypad手柄充电电流: 200mA
6. 单个NS Pro手柄充电电流: 450mA
7. 充电时长: 3-3.5小时左右

### 产品使用说明:

1. 将充电座尾部的两个USB插头插入NS 2 Dock原装底座上的USB端口。
2. 产品通电后, 6个充电指示灯蓝色常亮。
3. 将NS或NS 2 Joyypad与原装Pro手柄插入对应的插槽进行充电, 充电时对应指示灯橙色常亮, 充满电对应指示灯蓝色常亮。
4. 充电触摸开关功能: 轻触充电触摸开关可开启或关闭充电功能, 充电功能关闭时充电指示灯同时熄灭。支持断电记忆功能: 充电座断电后再次通电时仍保持断电前的充电状态。
5. 灯效触摸开关功能: 轻触灯效触摸开关可切换RGB灯效, 在12种状态(跑马灯, 呼吸灯, 渐变, 快闪, 红, 绿, 蓝, 黄, 冰蓝, 紫, 白, 熄灭)下依次循环切换, 长按3秒可保存当前灯效并强制关闭灯效, 再次轻触将点亮之前保存的灯效。
6. 当充电座满载充电时, 两个Pro手柄不能同时充电, 其中一个Pro手柄充满后另一个自动开始充电。

### 注意事项:

温馨提示: NS2 官方Dock具有充电保护功能, 当客户插拔主机或切换TV模式时会重启电源, 导致产品的充电指示灯闪烁, 此为正常现象, 产品无问题, 请放心使用。

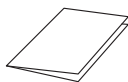


1. 请不要敲击、摔打、刺穿或试图去分解本产品, 以免对产品造成不必要的损害。
2. 非专业人员勿拆卸本产品, 否则不在售后保修服务内。
3. 请勿随意丢弃本产品, 须给有资质的机构回收。
4. 请勿用于其他非NS原装Joyypad手柄与非原装Pro手柄充电。
5. 通过扩展端口有线连接NS PRO手柄使用时, 需使用质量可靠的USB连接线, 以免发生连接不畅或断连现象。

### 产品清单:



充电座 x1



说明书 x1

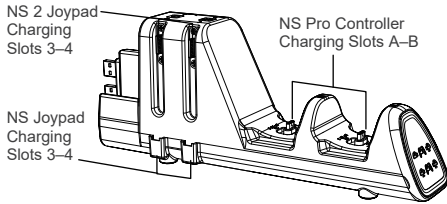
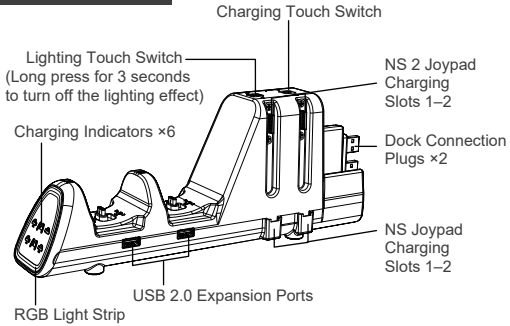


派派鱼

# N-S 2 10-in-1 Charging Dock

User Manual (PG-SW2187)

## Product Diagram:



## Product Features:

1. This product is a charging dock designed to work with the original NS 2 Dock, suitable for NS/ NS 2 Joypad controllers (1st and 2nd generation) and Pro controllers (1st and 2nd generation).
2. Equipped with 10 charging slots, it supports charging 1-4 Joypad controllers (NS 1st or 2nd generation) and 2 original Pro controllers (NS 1st or 2nd generation) simultaneously.
3. Comes with 2 USB 2.0 expansion ports, supporting low-current charging and data transmission (only for wired Pro controller connection).
4. Features charging indicators to display controller charging status in real time.
5. Built-in RGB lighting effects with 11 adjustable light modes, switchable at will.
6. Powered via the original NS 2 Dock, which must be connected to the official power adapter. Please use indoors and avoid strong magnetic environments.

## Technical Specifications:

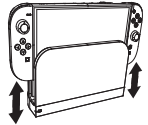
Input Voltage: DC 5V  
 Input Current: 2A  
 Charging Voltage: 4.8V-5.5V  
 Power: 10W  
 Charging Current (per Joypad): 200mA  
 Charging Current (per Pro Controller): 450mA  
 Charging Time: approx. 3-3.5 hours

## Instructions for Use:

1. Insert the two USB plugs at the rear of the charging dock into the USB ports of the original NS 2 Dock.
2. Once powered, the 6 charging indicator lights remain solid blue.
3. Insert the NS or NS 2 Joypad controllers and the original Pro controllers into the corresponding slots for charging. While charging: indicator light remains solid orange. Fully charged: indicator light remains solid blue.
4. Charging touch switch function: Lightly touch the charging switch to turn the charging function on or off. The charging indicator light will turn off when charging is disabled. Power-off Memory Function: This device supports a power-off memory function. If the charging base loses power and is then reconnected, it will automatically restore the lighting state it was in before the power loss.
5. Lighting Touch Switch Function: There are 12 cycling modes: Marquee, Breathing, Gradient, Flash, Red, Green, Blue, Yellow, Cyan, Purple, White, Off. Long press for 3 seconds to save the current lighting mode and force the lights off. Lightly touch again to restore the previously saved lighting mode.
6. When the charging dock is fully loaded (both 4 Joy-Con and 2 Pro controllers need to be charged), the two Pro controllers cannot be charged simultaneously. Once one Pro controller is fully charged, the other Pro controller will automatically start charging.

## Precautions:

The official dock has a power protection feature that briefly resets power when switching TV mode or docking/undocking the console. This may cause connected devices to flash or restart. It's normal and not a product issue.



1. Do not strike, drop, puncture, or attempt to disassemble this product to avoid unnecessary damage.
2. Non-professionals should not disassemble this product, otherwise after-sales warranty service will not apply.
3. Do not discard this product at will; please recycle through qualified institutions.
4. Do not use this dock to charge non-original NS Joypad or non-original Pro controllers.
5. When using the expansion ports for wired NS Pro controllers, use reliable USB cables to avoid poor or unstable connections.

## Product List:



Charging Dock x1



User Manual x1